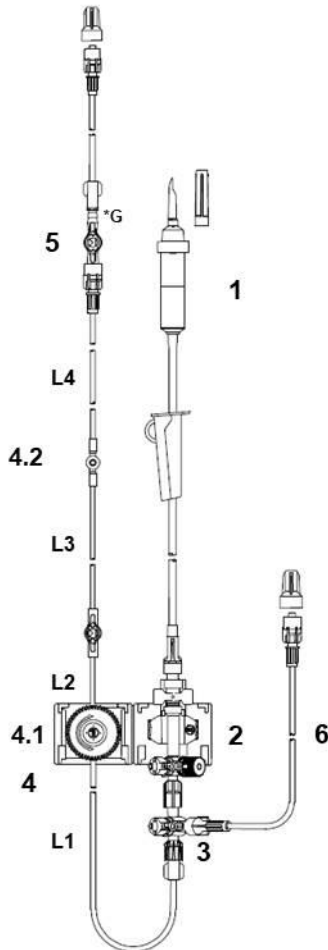


## 74.6090 - ABSS - Monitoring set with DPT-9003, single

**Product illustration**  
(\*G = Glued connection)



<b>Historical :</b>	I-94-IIA-056
<b>BASIS-UDI-DI :</b>	40467659003pvcCLASSICNC

**Product description**

1. System for filling the pressure monitoring set. It contains a non-vented macro drip chamber with a 15 µm fluid filter and a neutral roller clamp below. The spike of the drip chamber is assembled with a neutral protection cap. The tubing is made of PVC with the plasticizer TOTM. Dimensions: 1500 mm, 3.0/4.1 mm (ID/OD).
2. DPT-9003 – Disposable pressure transducer of the series DPT-9000 with a flush device which provides a continuous flow of 3 ml/h. In addition, the special design of the flush device allows performing a rectangular test to check the signal transmission of the system at any time. The neutral 3-way stopcock contains a red and vented cap for a comfortable zero-point calibration. The integrated splash-proof cylindrical socket is made of PVC-free materials and ensures a permanently secure connection between the electrical accessory and transducer.
3. Red 2-way stopcock (90°). The arrows of the handle indicate the set flow direction.
4. The Arterial Blood Sampling System (ABSS) consists of a Reservoir-System, one red 1-way stopcock and a sampling port. The ABSS allows hygienically closed blood collection, withdrawing undiluted blood samples and reducing a patient's blood loss. The tubing is made of PVC with the plasticizer TOTM. The dimensions are shown in the table below in millimeters (mm):


Section	Length (Tubing)	Diameter (ID/OD)
L1	220	1.5/2.98
L2	50	1.5/2.98
L3	1850	1.5/2.98
L4	217	1.5/2.98
<b>L (total)</b>	<b>≈2400*</b>	<b>1.5/2.98</b>

\*The shown total length of the system is calculated from the listed tubing lengths as well as the dimensions of the integrated components.

- 4.1 The heart of the blood sampling system is the Reservoir. By rotating the ergonomic designed piston of the Reservoir, the clearing volume to be removed before taking a blood sample can be aspirated and stored inside the component. After the clearing volume has been removed, pure blood samples can be taken at the sampling port. The stored clearing volume can be returned after the sampling process. Additionally, the integrated bacterial filter protects the interior of the system from the ingress of pathogens.

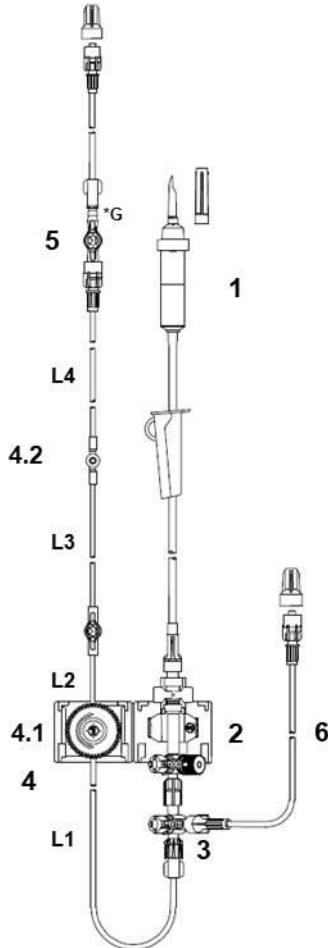


Please note that this document is for information only and neither a specification nor an accompanying document which is relevant to safety. Safety instructions and warnings as well as all other information, which must be observed for the intended use of this product, can be found in the enclosed instructions for use. Subject to alterations without prior notice.

REF	Product Summary	Specific Product Information		UDI
74.6090	Disposable pressure monitoring set (single) with the transducer DPT-9003. Contains the blood sampling system: ABSS		1 25 -	4046765097059 4046765048679 -

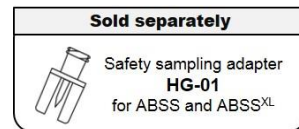
## 74.6090 - ABSS - Monitoring set with DPT-9003, single

**Product illustration**  
(\*G = Glued connection)



**Product description**

- 4.2 Blood sampling port of the ABSS. With the aid of the plastic safety sampling adapter HG-01 (sold separately), which reliably protects the clinician from needle-stick injuries, hygienically closed blood samples can be taken at the sampling port of the ABSS. The self-closing membrane made of an elastic material, protects the system against the ingress of pathogens and can be disinfected by wipe disinfection before and after the blood sampling process.




- 5. Arterial extension with a red colour coded 1-way stopcock (360°) and a pressure monitoring line in patient direction. The tubing is glued with the male luer connector of the stopcock, has a standard bore and is made of PVC with the plasticizer TOTM. Dimensions: 150 mm, 1.5/2.98 mm (ID/OD), 0.27 ml (tube-volume).
- 6. Pressure monitoring line with a standard bore and blue colour coding to identify venous applications. The tubing has two male luer connectors and is made of PVC with the plasticizer TOTM. Dimensions: 2100 mm, 1.5/2.98 mm (ID/OD), 3.71 ml (tube-volume).

<b>Historical :</b>	I-94-IIA-056
<b>BASIS-UDI-DI :</b>	40467659003pvcCLASSICNC



Please note that this document is for information only and neither a specification nor an accompanying document which is relevant to safety. Safety instructions and warnings as well as all other information, which must be observed for the intended use of this product, can be found in the enclosed instructions for use. Subject to alterations without prior notice.

REF	Product Summary	Specific Product Information		UDI
74.6090	Disposable pressure monitoring set (single) with the transducer DPT-9003. Contains the blood sampling system: ABSS		 1 25 -	4046765097059 4046765048679 -